

# Nano-N1021

Intel® Celeron® J4125 Processor - MINI PC



## FEATURES

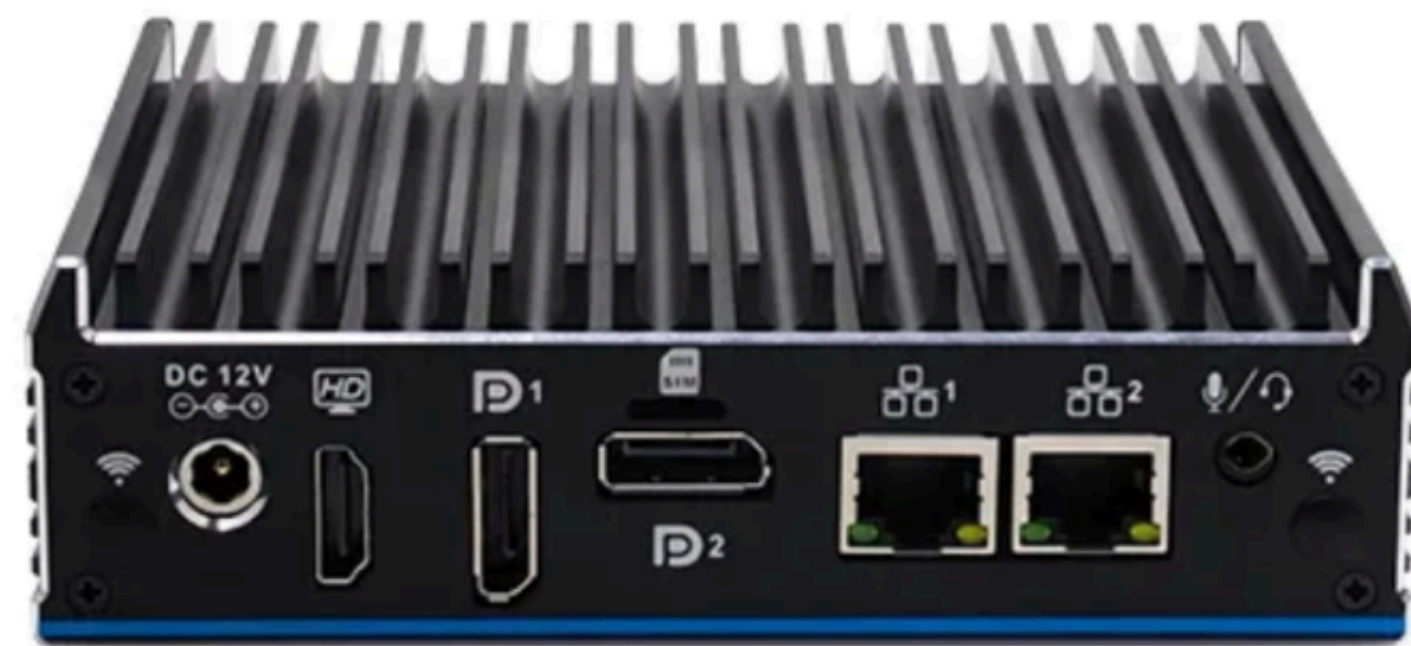
- Fanless Aluminum Design
- Intel® Celeron® J4125 Quad Core Processor
- 6 × USB (4 × USB 3.0)
- 3 × M.2  
(Support WiFi + 4G at the same time)
- Support synchronous and asynchronous 3 display, support 4K Full HD
- Support desktop, rail, VESA wall-mounted and other fixing methods

## SPECIFICATION

SYSTEM	
Processor	Intel® Celeron® J4125 (quad core four threads, 4MB cache, 2.0GHz, Max. Turbo 2.7 GHz)
CPU Architecture	Gemini Lake Refresh
Memory	1 × DDR4 2400MHz SODIMM, Max. 8GB
BIOS	AMI UEFI BIOS
Display Chip	Intel® HD Graphics 600
Display Port	1 × HDMI 2 × DP Support synchronous/asynchronous 3 display Max. Resolution support 4096x2160@60Hz
Storage	1 × M.2 2280 1 × 2.5-inch HDD
Expansion	1 × M.2 2280 M-key (support SATA) 1 × M.2 2242 B-key ( support 4G ), embedded SIM Card Slot 1 × M.2 2230 E-key (support WiFi, Bluetooth) Expansion Function: TPM Pin (support TPM 1.2/2.0 security module), 1 × COM Port
OS Support	Windows 10, Linux
Front I/O	1 × Power Button 4 × USB 3.0 2 × USB 2.0 1 × COM Port
Rear I/O	1 × DC-In 1 × HDMI 2 × DP 2 × Intel 1000Mbps LAN Ports 1 × SIM Card Slot 1 × Audio (support audio and Mic input)
Ethernet	2 × RTL8111H 10/100/1000Mbps LAN Ports
Power	DC 12V
Other Function	Auto power on when there is electricity, Timing boot, Wake on LAN, PXE boot, Watchdog (0~255 level)
Application	Industrial Automation, Medical, Logistics Transportation, Warehouse, Electronic Education, etc.
ENVIRONMENT	
Operating Temperature	0°C ~ 50°C (Commercial HDD), -20°C ~ 60°C (Industrial SSD) ,surface air flow
Relative Humidity	0% ~ 95% (non-condensing)
Certification	CE, CCC, FCC Class A, RoHS
MECHANISM	
Dimension	144 × 126.5 × 42 mm
Net Weight	0.8 kg



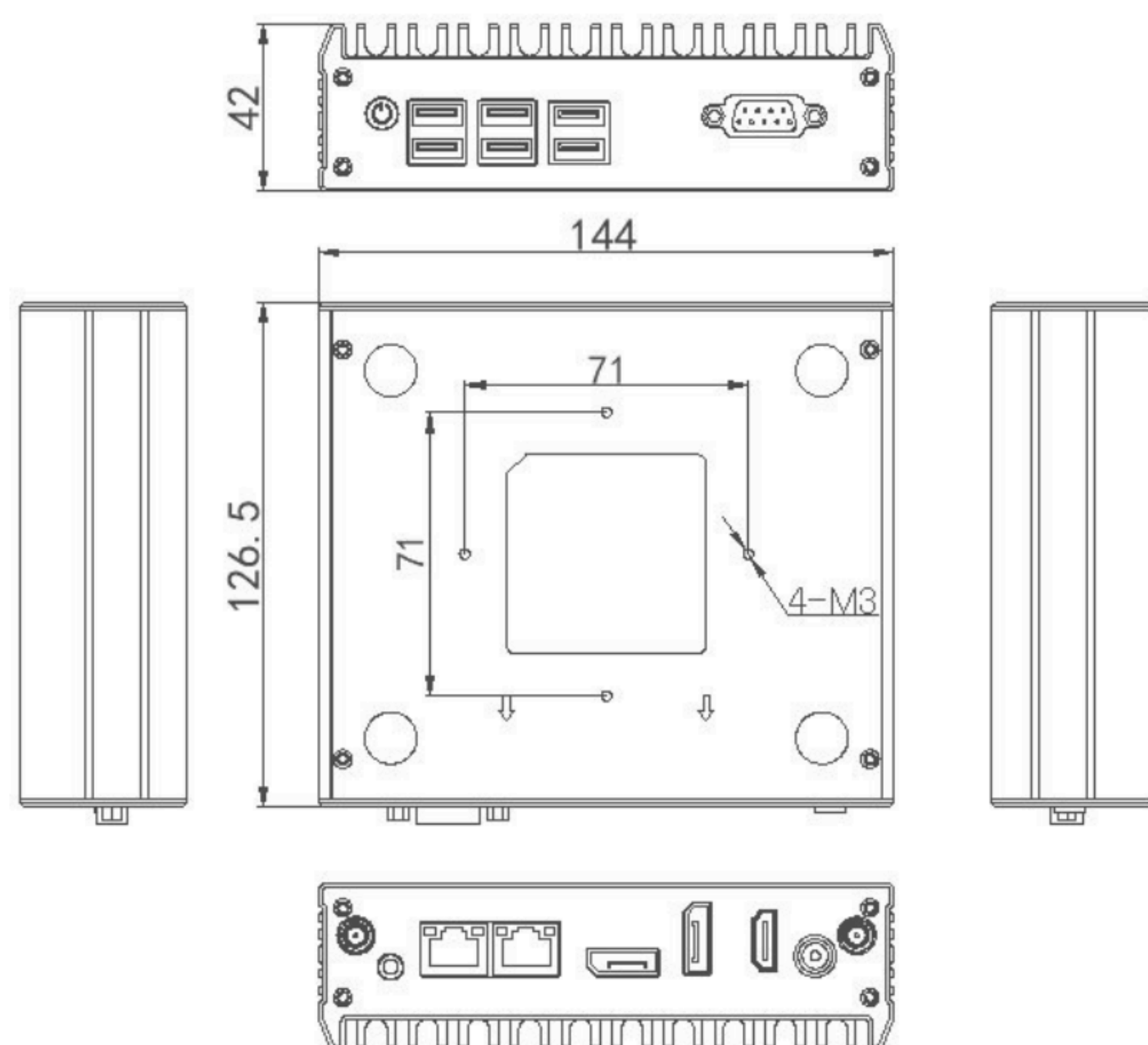
Front View



Rear View

## DIMENSION

unit:mm



## ORDER INFORMATION

Nano N1021	CPU	Specification
Configuration	Intel® Celeron® J4125	Standard Port

## ACCESSORY

Part Name	Quantity	Specification
Power Adapter	1	Optional 12V 5A / 12V 4A
Power Cord	1	CN, US, UK, EU etc.
VESA Bracket	1	Standard